



## Wireless receiver with gateway sWave.NET® Access Point RF RxT-NET Material number: on request

### Features/Options:

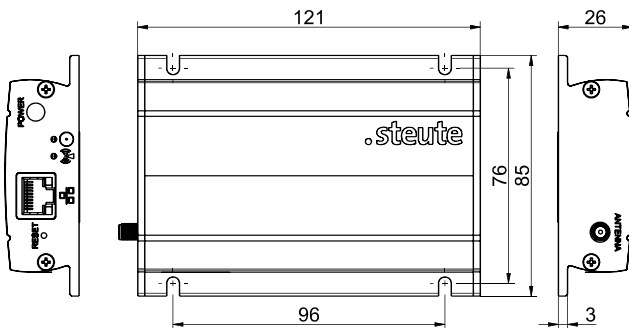
- sWave.NET® wireless technology
- Simple set-up
- Unlimited spatial expandability

### Notes

- External antenna always required for optimum wireless range

- Long transmission range (700 m outdoors, approx. 40 m indoors)
- Minimal configuration required due to dynamic self-organisation

### Dimensions



### Technical data

|                                  |   |
|----------------------------------|---|
| Applied standards                | EN 60947-5-1;<br>EN 61000-6-2, -6-3, -4-2, -4-20,<br>EN 61000-4-4, -4-5, -4-6;<br>EN 60068-2-6, EN 60068-2-27;<br>EN 301 489-1; EN 301 489-3;<br>EN 300 220-1; EN 300 220-2 |
| Mounting                         | Screw connection or magnet holder   |
| Connection                       | Plug-in power supply with respective plug connectors  |
| Network interface                | 10/100 Base-T Ethernet via RJ 45, Cat 5e (S/UTP or F/UTP) or SF/UTP or WLAN (802.11 b/g/n)  |
| Software interface               | HTTP/XML (see protocol definition)  |
| Degree of protection             | IP 20 to IEC/EN 60529   |
| Rated operating current $I_e$    | max. 0.1 A  |
| Rated operating voltage $U_e$    | 24 VDC -15 % ... +10 %  |
| Frequency                        | 868.3 MHz (EU, Switzerland) or 915 MHz (USA, Canada and Mexico) or 917 MHz (Brazil) or 916.5 MHz (Japan)  |
| Display                          | Mode LED: operating state<br>RF LED: signalisation of telegram  |
| Degree of pollution              | 2   |
| Ambient temperature              | 0 °C ... +55 °C   |
| Storage and shipping temperature | -25 °C ... +85 °C   |
| Vibration resistance             | 5 g (10-150 Hz)   |



Wireless receiver with gateway sWave.NET®  
Access Point RF RxT-NET  
Material number: on request

## Technical data

### Wireless approvals

EU: RED 2014/53/EU  
USA: FCC Part 15.247: XK5-RF  
Rx SW915  
Canada: IC RSS-210: 5158A-RF  
Rx SW 915  
Mexico: IFT - RCPSTRF17-1886  
Brazil: ANATEL 04172-18-06718  
Japan: ARIB STD-T108:  
204-610002