

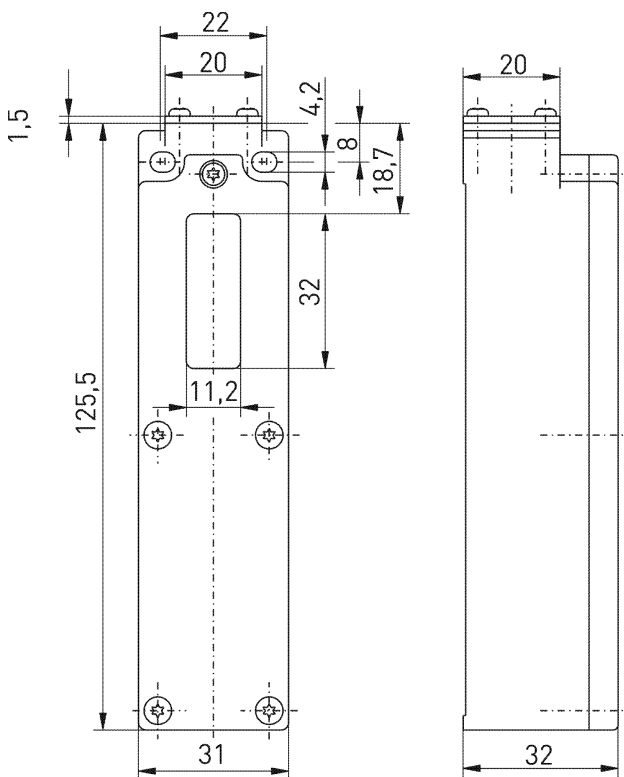


Wireless optical sensor sWave.NET® RF 96 LT-NET Material number: on request

Features/Options:

- sWave.NET® wireless technology
- Light sensor: registration by light reflection
- Configurable online via wireless interface
- Simple operation and integration in existing ERP systems via Sensor Bridge
- High scalability - up to several hundred sensors in one application
- Low switching frequency < 1 Hz

Dimensions



Technical data

Applied standards	EN 60947-5-1; EN 61000-6-2, -6-3, EN 61000-4-2, -4-20; EN 301 489-1; EN 301 489-3; EN 300 220-1; EN 300 220-2
Enclosure	glass-fibre reinforced, shock-proof thermoplastic, self-extinguishing UL 94 V-0
Tightening torque	M4 enclosure mounting screw: max 1.2 Nm M2.5 cover screws: approx. 0.45 Nm
Sensor	Ir reflective light sensor
Degree of protection	IP X5 to IEC/EN 60529
Protocol	sWave.NET®
Ambient temperature	0 °C ... +65 °C
Operation cycles	approx. 7200 telegrams with repetitions/h; SW922: max. 1440 telegrams/h
Switching frequency	max. 1 Hz
Switching distances	white paper: 170 mm grey card 18% reflection: 90 mm storage box blue: 90 mm storage box red: 120 mm storage box black: 40 mm
Standby current	130 µA sensor not actuated, 250 µA sensor actuated
Voltage supply	Lithium battery (replaceable), SL-2770, SL-760 in adapter
Nominal capacity	2.2 Ah (SL-760) - 8.5 Ah (SL-2770)
Frequency	868.3 MHz (EU, Switzerland) or 915 MHz (USA, Canada and Mexico) or 917 MHz (Brazil) or 916.5 MHz (Japan)
Transmission power	< 25 mW; SW922: < 1 mW
Data rate	66 kbps

Errors and omissions excepted.



Wireless optical sensor sWave.NET®
RF 96 LT-NET
Material number: on request

Technical data

Channel bandwidth	SW868: 480 kHz, SW915/917: 550 kHz, SW922: 520 kHz
Wireless range	SW868/915/917: max. 450 m outside, max. 40 m inside SW922: max. 150 m outside, max. 20 m inside
Actuating time	min. 300 ms
Battery life SL-2770 (C)	depending on the switching frequency sensor mainly not activated 1 s - ca. 1070 days, 10 s - ca. 2300 days, 100 s - ca. 2600 days sensor mainly activated 1 s - ca. 1000 days, 10 s - ca. 1300 days, 100 s - ca. 1400 days
Battery life SL-760 (AA)	depending on the switching frequency sensor mainly not activated 1 s - ca. 270 days, 10 s - ca. 600 days, 100 s - ca. 690 days sensor mainly activated 1 s - ca. 200 days, 10 s - ca. 330 days, 100 s - ca. 360 days
Note	Transmission of battery voltage and switching condition
Wireless approvals	EU: RED 2014/53/EU USA: FCC Part 15.247: XK5-RF Rx SW915 Canada: IC RSS-210: 5158A-RF Rx SW 915 Mexico: IFT - RCPSTRF17-1886 Brazil: ANATEL 04172-18-06718 Japan: ARIB STD-T108: 204-610002