



## Wireless position switch sWave.NET® RF 96-NET Material number: on request

### Features/Options:

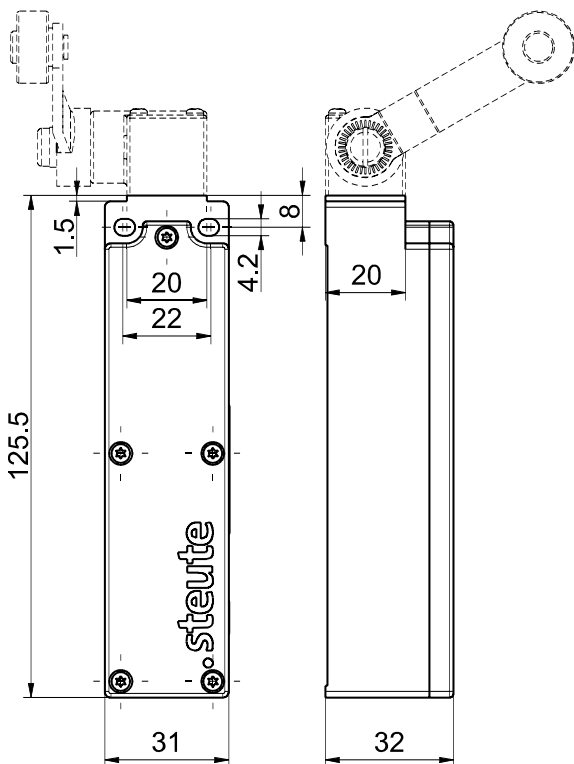
- sWave.NET® wireless technology
- Cable-free - with cost savings for installation and maintenance
- Configurable online via wireless interface
- Simple operation and integration in existing ERP systems via Sensor Bridge

- High scalability - up to several hundred sensors in one application
- Battery life approx. 10 years

### Notes

- Factory delivery with battery type SL-760 (AA)

### Dimensions



### Technical data

Applied standards	EN 60947-5-1; EN 61000-6-2, -6-3, EN 61000-4-2, -4-20; EN 301 489-1; EN 301 489-3; EN 300 220-1; EN 300 220-2
Enclosure	glass-fibre reinforced, shock-proof thermoplastic, self-extinguishing UL 94 V-0
Tightening torque	M4 mounting screw enclosure: max 1.2 Nm M2.5 cover screws: approx. 0.45 Nm
Degree of protection	IP 67 to IEC/EN 60529
Protocol	sWave.NET®
Ambient temperature	-20 °C ... +65 °C
Operation cycles	approx. 12000 telegrams with repetitions/h; SW922: max. 1440 telegrams/h
Voltage supply	Lithium battery (replaceable)
Nominal capacity	2.2 Ah (SL-760) - 8.5 Ah (SL-2770)
Frequency	868.3 MHz (EU, Switzerland) or 915 MHz (USA, Canada and Mexico) or 917 MHz (Brazil) or 916.5 MHz (Japan)
Transmission power	< 25 mW; SW922: < 1 mW
Data rate	66 kbps
Channel bandwidth	SW868: 480 kHz, SW915: 550 kHz, SW917: 550 kHz, SW922: 520 kHz



Wireless position switch sWave.NET®  
RF 96-NET  
Material number: on request

## Technical data

Wireless range	SW868/915/917: max. 450 m outside, max. 40 m inside SW922: max. 150 m outside, max. 20 m inside
Actuating time	min. 80 ms to max. 31.9 s (1 s preset)
Mechanical life	> 1 million operations
Battery life SL-760 (AA)	depending on the switching frequency 10 s ca. 3.5 years 1 min > 10 years max. manufacturer's specification of storage life
Battery life SL-2770 (C)	depending on the switching frequency 10 s > 10 years max. manufacturer's specification of storage life
Note	Transmission of battery voltage and switching condition
Wireless approvals	EU: RED 2014/53/EU USA: FCC Part 15.247: XK5-RF Rx SW915 Canada: IC RSS-210: 5158A-RF Rx SW 915 Mexiko: IFT - RCPSTRF17-1886 Brazil: ANATEL 04172-18-06718 Japan: ARIB STD-T108: 204-610002