

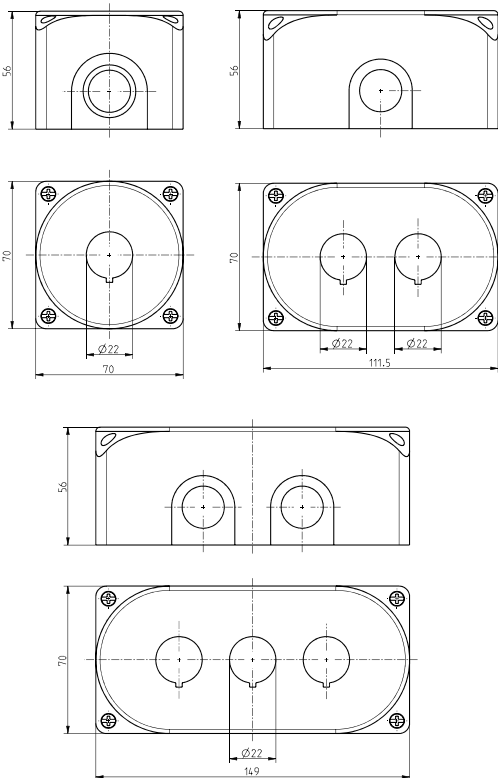


Wireless command device sWave.NET® RF BF 74-NET Material number: on request

Features/Options:

- sWave.NET® wireless technology
- Thermoplastic enclosure
- No wiring and pipe laying required
- Configurable online via wireless interface
- Power supply by Lithium battery (replaceable)

Dimensions



Technical data

Applied standards	EN 60947-5-1; EN 61000-6-2, -6-3, EN 61000-4-2, -4-20; EN 301 489-1; EN 301 489-3; EN 300 220-1; EN 300 220-2
Enclosure	Polycarbonate
Tightening torque	cover screws: approx. 1.6 Nm
Degree of protection	IP 65 to IEC/EN 60529 (RTM: IP 67), use only with enclosure for command devices
Protocol	sWave.NET®
Ambient temperature	-20 °C ... +65 °C
Operation cycles	approx. 12000 telegrams with repetitions/h; SW922: max. 1440 telegrams/h
Voltage supply	Lithium battery Tadiran SL-750/S (replaceable)
Frequency	868.3 MHz (Europe) or 915 MHz (USA, Canada and Mexico) or 917 MHz (Brazil) or 916.5 MHz (Japan)
Transmission power	< 25 mW; SW922: < 1 mW
Data rate	66 kbps
Channel bandwidth	SW868: 480 kHz, SW915/917: 550 kHz, SW922: 520 kHz
Wireless range	SW868/915/917: max. 450 m outside, max. 40 m inside SW922: max. 150 m outside, max. 20 m inside
Mechanical life	800 000 operations
Actuating time	min. 80 ms to max. 31.9 s (1 s preset)



Wireless command device sWave.NET®
RF BF 74-NET
Material number: on request

Technical data

Battery life depending on the switching frequency
10 s ca. 1.5 years
1 min ca. 7.5 years
manufacturer's specification of max. storage life

Note Transmission of battery voltage and switching condition

Wireless approvals Europe: RED 2014/53/EU
USA: FCC Part 15.247: XK5-RF Rx SW915
Canada: IC RSS-210: 5158A-RF Rx SW 915
Mexico: IFT - RCPSTRF17-1886
Brazil: ANATEL 04172-18-06718

Japan:  ARIB STD-T108:
204-610002