



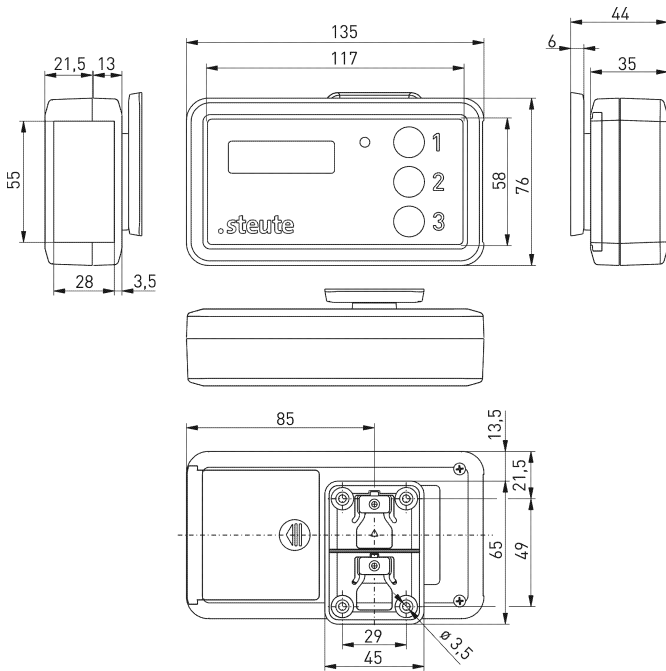
Wireless Andon push-button sWave.NET® RF MAKD 3F-NET Material number: on request

Features/Options:

- sWave.NET® wireless technology

- Thermoplastic enclosure

Dimensions



Technical data

Applied standards	EN 60947-5-1; EN 61000-6-2, -6-3, EN 61000-4-2, -4-20; EN 301 489-1; EN 301 489-3; EN 300 220-1; EN 300 220-2
Enclosure	ABS, self-extinguishing UL 94 V-0
Display	monochrome, high-contrast, 2x16 characters for individual text
Degree of protection	IP 40 to IEC/EN 60529
Protocol	sWave.NET®
Ambient temperature	-10 °C ... +60 °C
Voltage supply	3 x batteries Mignon/AA/LR6
Frequency	868.3 MHz (EU, Switzerland) or 915 MHz (USA, Canada and Mexico) or 917 MHz (Brazil) or 916.5 MHz (Japan)
Transmission power	< 25 mW; SW922: < 1 mW
Data rate	66 kbps
Channel bandwidth	SW868: 480 kHz, SW915: 550 kHz, SW917: 550 kHz, SW922: 520 kHz
Battery life	according to switching frequency
Wireless range	SW868/915/917: max. 450 m outside, max. 40 m inside SW922: max. 150 m outside, max. 20 m inside
Wireless approvals	EU: RED 2014/53/EU USA: FCC Part 15.247: XK5-RF Rx SW915 Canada: IC RSS-210: 5158A-RF Rx SW 915 Mexiko: IFT - RCPSTRF17-1886 Brazil: ANATEL 04172-18-06718 Japan: ARIB STD-T108: 204-610002
Note	The front foil is resistant to alcohol, ester, dilute acids, dilute alkalis, solvents, ketones and household cleaning agents.



Wireless Andon push-button sWave.NET®
RF MAKD 3F-NET
Material number: on request