



sWave.NET® Gateway with Sensor Bridge and Access Point RF RxT-NET-M Material number: on request

Features/Options:

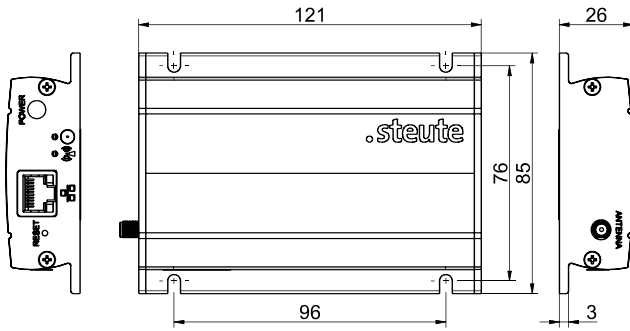
- sWave.NET® wireless technology
- Long transmission range (700 m outdoors, approx. 50 m indoors, SW922: 230 m/25 m)
- User interface with practice-oriented, pre-installed settings

Notes

- External antenna always required for optimum wireless range

- SMA plug-in connector for external antenna
- Supported protocols: REST (XML / json), http(s) Notifications, MODBUS TCP/IP
- Web-based configuration and handling without any extra programming

Dimensions



Technical data

Applied standards	EN 60947-5-1; EN 61000-6-2, -6-3, -4-2, -4-20, EN 61000-4-4, -4-5, -4-6; EN 60068-2-6, EN 60068-2-27; EN 301 489-1; EN 301 489-3; EN 300 220-1; EN 300 220-2
Mounting	Screw connection or magnet holder
Connection	plug-in power supply with respective plug connectors
Network interface	10/100 Base-T Ethernet via RJ 45, Cat 5e (S/UTP or F/UTP) or SF/UTP
Software interface	REST API, json notifications via HTTP(S), Modbus TCP, configuration via browser
Degree of protection	IP 20 to IEC/EN 60529
Rated operating current I_e	max. 0.1 A
Rated operating voltage U_e	24 VDC -15 % ... +10 %
Frequency	868.3 MHz (Europe) or 915 MHz (USA, Canada and Mexico) or 917 MHz (Brazil) or 916.5 MHz (Japan)
Display	Mode LED: operating state RF LED: signalisation of telegram
Degree of pollution	2
Ambient temperature	0 °C ... +55 °C
Storage and shipping temperature	-25 °C ... +85 °C



sWave.NET® Gateway with Sensor Bridge and Access Point
RF RxT-NET-M
Material number: on request

Technical data

Wireless approvals

Europe: RED 2014/53/EU
USA: FCC Part 15.247: XK5-RF
Rx SW915
Canada: IC RSS-210: 5158A-RF
Rx SW 915
Mexico: IFT - RCPSTRF17-1886
Brazil: ANATEL 04172-18-06718

Japan:  ARIB STD-T108:
204-610002